

The ZTT Series ceramic resonator offers wide frequency range and extended temperature range capabilities with built-in load capacitance.

FEATURES

- Low profile
- Wide frequency range
- Extended temperature range
- High stability
- Built-in load capacitance

OPERATING CONDITIONS/ELECTRICAL CHARACTERISTICS

| PART NUMBER * | FREQUENCY RANGE (MHz) | FREQUENCY ACCURACY @ 25° (%) | STABILITY IN TEMPERATURE -20° ~ 80°C (%) | AGING FOR TEN YEARS (%) | RESONANT RESISTANCE (Ω) MAX. | WITHSTANDING VOLTAGE (5 SEC. MAX.) | INSULATION RESISTANCE (Ω) |
|---------------|-----------------------|------------------------------|--|-------------------------|------------------------------|------------------------------------|----------------------------------|
| ZTT□.□□MG | 2.00 ~ 2.99 | ±0.5 | ±0.3 | ±0.3 | 80 | 100 V DC | 5X10 ⁸ Min. @ 10 V DC |
| ZTT□.□□MG | 3.00 ~ 3.49 | ±0.5 | ±0.3 | ±0.3 | 50 | 100 V DC | 5X10 ⁸ Min. @ 10 V DC |
| ZTT□.□□MG | 3.50 ~ 4.99 | ±0.5 | ±0.3 | ±0.3 | 30 | 100 V DC | 5X10 ⁸ Min. @ 10 V DC |
| ZTT□.□□MT | 5.00 ~ 6.99 | ±0.5 | ±0.3 | ±0.3 | 30 | 100 V DC | 5X10 ⁸ Min. @ 10 V DC |
| ZTT□.□□MT | 7.00 ~ 13.00 | ±0.5 | ±0.3 | ±0.3 | 25 | 100 V DC | 5X10 ⁸ Min. @ 10 V DC |
| ZTT□.□□MX | 13.01 ~ 32.00 | ±0.5 | ±0.3 | ±0.3 | 55 | 100 V DC | 5X10 ⁸ Min. @ 10 V DC |

* Complete part number to include frequency i.e. ZTT10.00MT (10.00 = 10.00 MHz)

PACKAGE DIMENSIONS (mm)

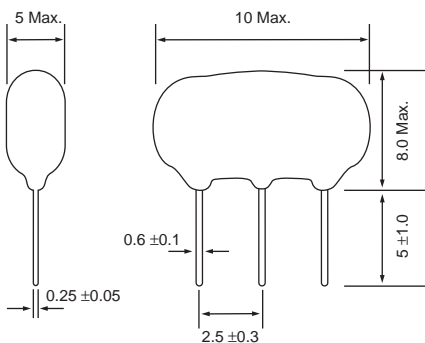


Figure 1) ZTT □.□□MG, Front and Side views

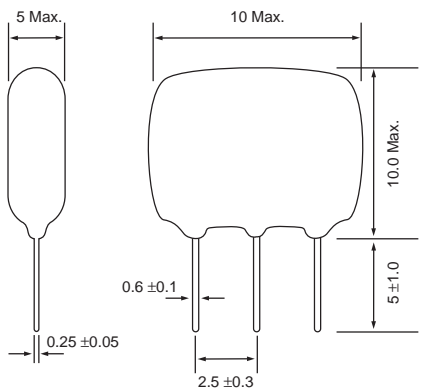


Figure 3) ZTT □.□□MT, MX Front and Side views

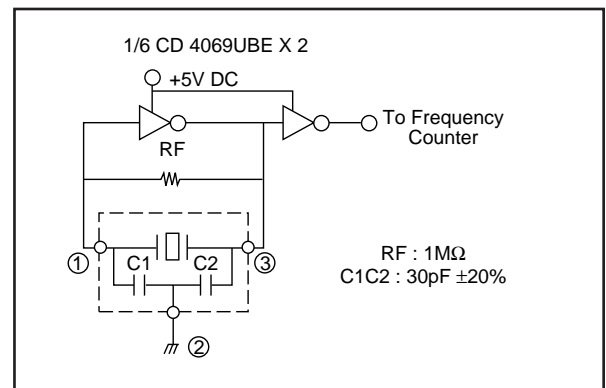


Figure 2) ZTT □.□□MG Test Circuit

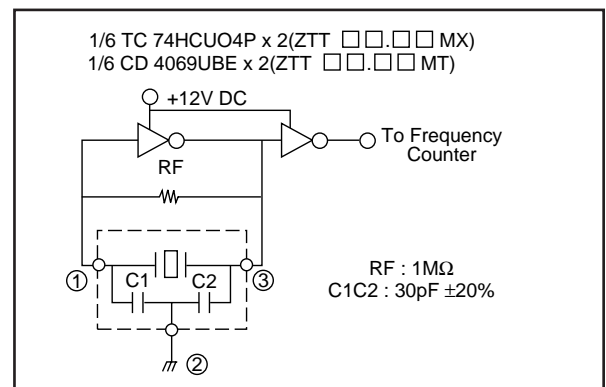


Figure 4) ZTT □.□□MT & ZTT □.□□MX Test Circuit